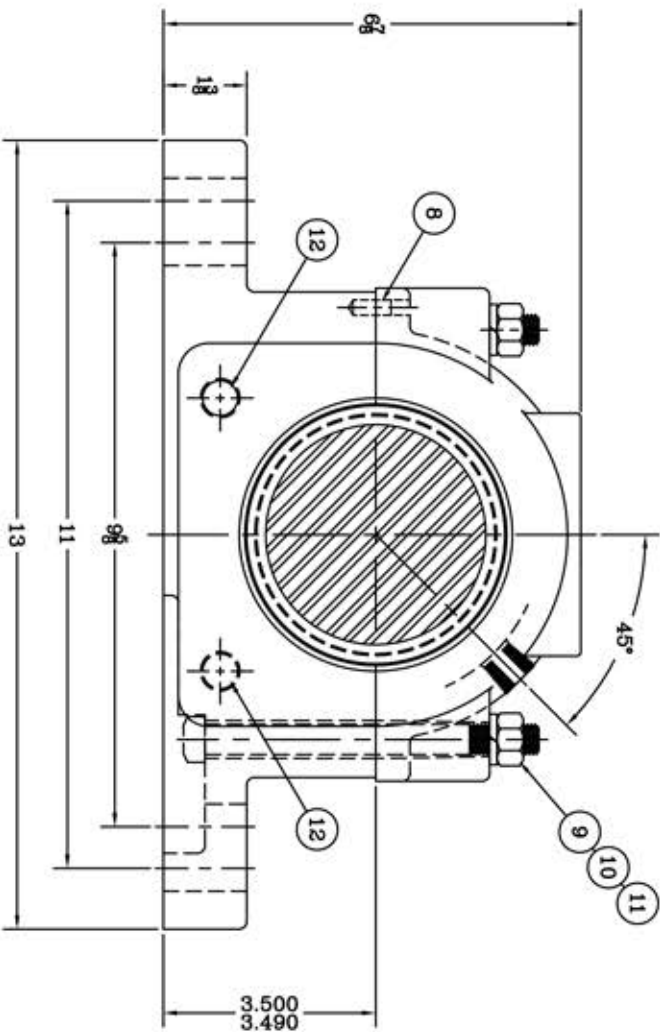
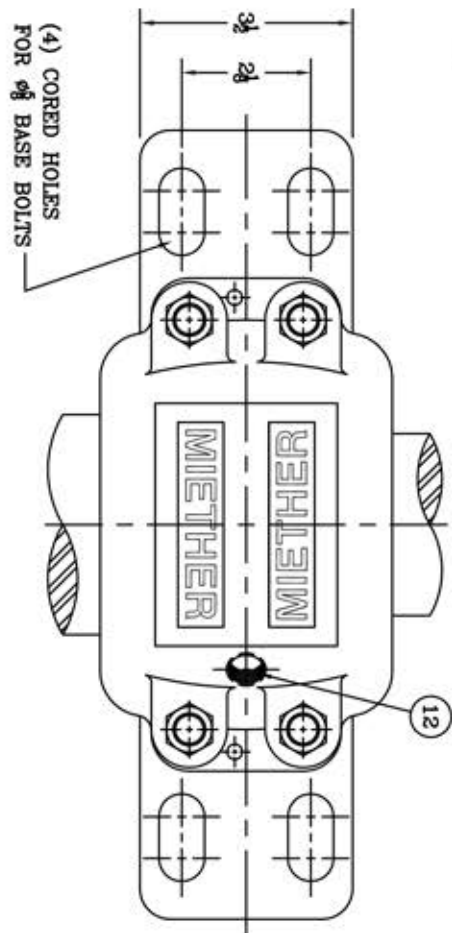
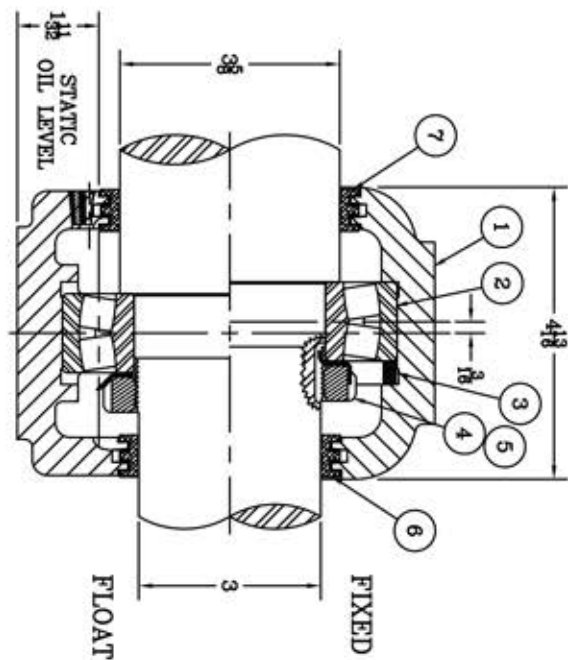


This drawing is the sole property of Miether Bearing Products and contains confidential and proprietary information. It is being provided to you for your use and may not be disclosed to any third party or used for any other purpose without Miether's prior written consent. The [materials] must be returned to the Company upon its demand. Your acceptance of these materials constitutes your acceptance of the foregoing terms.

C-14124



| ITEM | DESCRIPTION | DETAIL | QUANTITY |
|------|------------------------------|----------------------|----------|
| 1 | HOUSING FSAP 216 | C-13129-R | 1 1 |
| 2 | SPHERICAL ROLLER BEARING | 22216/W-33 | 1 1 |
| 3 | STABILIZING RING SR-16-13 | A-10599 | 1 0 |
| 4 | LOCKNUT AN-16 | B-11938 | 1 1 |
| 5 | LOCKWASHER W-16 | 00241 | 1 1 |
| 6 | TRIPLE SEAL RING LER-54 | A-11061 | 1 1 |
| 7 | TRIPLE SEAL RING LER-82 | A-11075 | 1 1 |
| 8 | DOWEL | 3/4 x 3/8 LONG | 2 2 |
| 9 | CAP BOLT SQUARE HEAD | 3/4-13 NC x 5/8 LONG | 4 4 |
| 10 | CAP BOLT HEX. NUT | 3/4-13 NC | 4 4 |
| 11 | LOCKWASHER | 3/4 SPLIT MED. | 4 4 |
| 12 | PIPE PLUG | 3/8-18 NPT | 3 3 |



REDRAWN FOR CONFORMITY
RWB per KAB
12-30-03
REDRAWN TO SCALE
OMI 7-9-01

REVISIONS

| SYMBOL | DATE | DESCRIPTION | | | | |
|--------|------|-------------|-----|-----|-----|------|
| 16 | 32 | 63 | 128 | 250 | 500 | 1000 |



FSAP 22216 03-10 x 03-00
ASSEMBLY DRAWING
SCALE 1 = 1.5
DRAWN BAB
DATE 1/26/98
CHC
ASSEMBLY NO.
DRAWING NO.
C-14124